

USER MANUAL

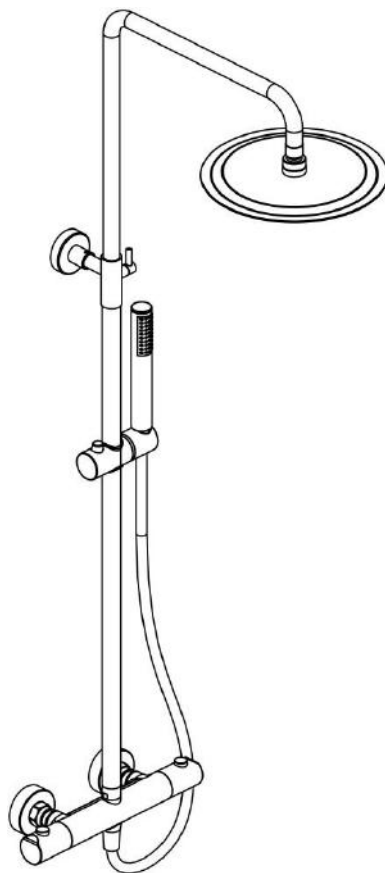


Thank you for choosing Better Bathrooms.
Please read this manual before installing your product
and keep for future reference.

better 
bathrooms

Product

ARIBB017 - Round Brushed Brass Thermostatic Mixer Shower Set with
Exposed Valve



- **Single-person assembly**
- **Tools required**
- **We always recommend using professional tradespeople to install your product**

V2_3/9/2022

Congratulations on your purchase

And welcome to our growing gang of savvy shoppers

We're on a mission to bring you extraordinary bathroom products, for less. From modern to traditional style ceramics, plus the gorgeous fixtures, fittings and furniture to match. So, you can fall in love with your space every single day.

As one of the UK's largest independent bathroom stores, we've received countless awards; including the National Business Awards UK, the Digital Entrepreneur Awards and being placed on The Sunday Times Fast Track 100.

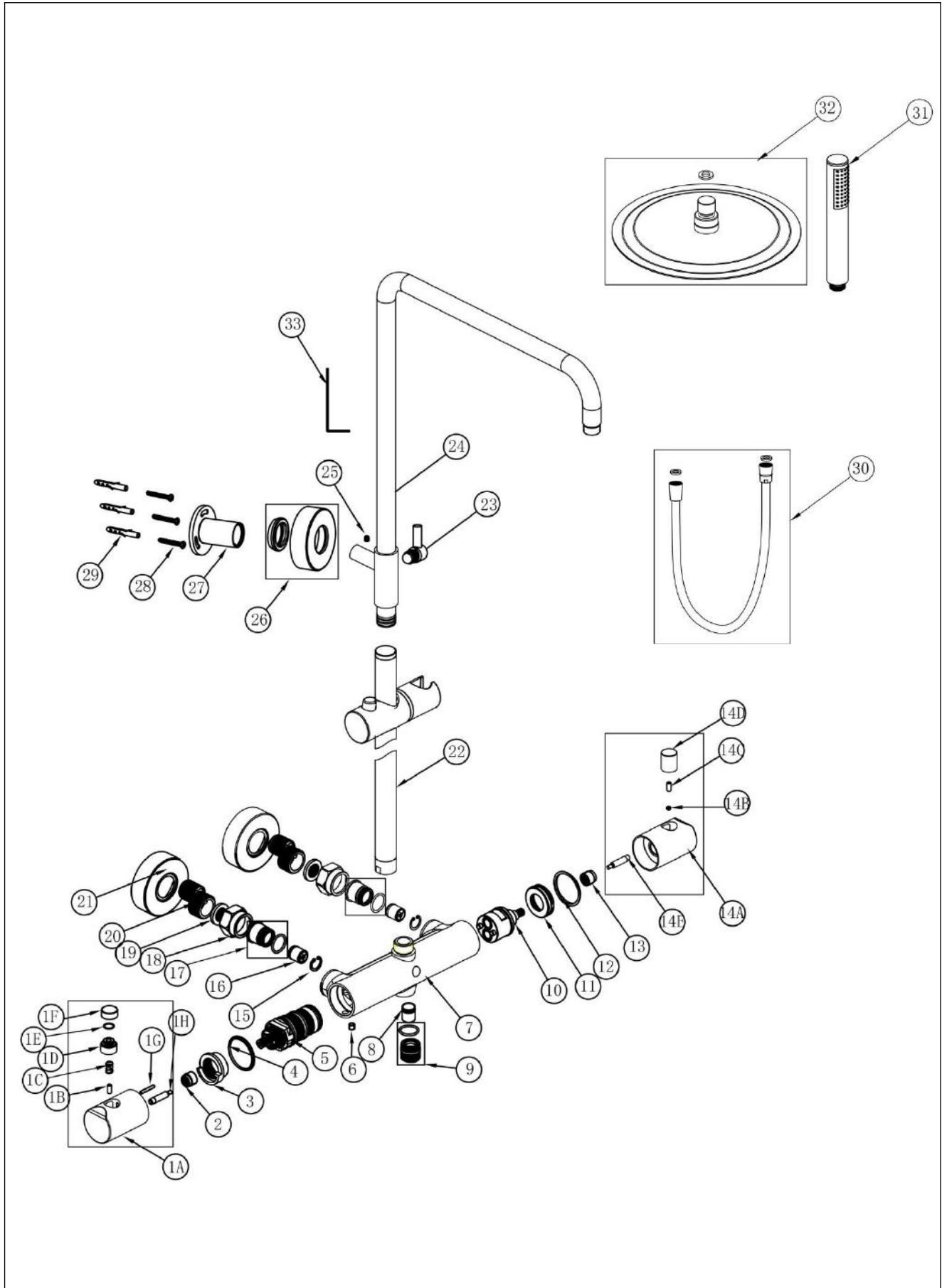
We hope your new product goes above and beyond your expectations. However, should any problems occur, please:

- log in to your account and contact our customer services team via your self-serve portal – betterbathrooms.com/Account/Login
- contact us via betterbathrooms.com/contact-us

Important information

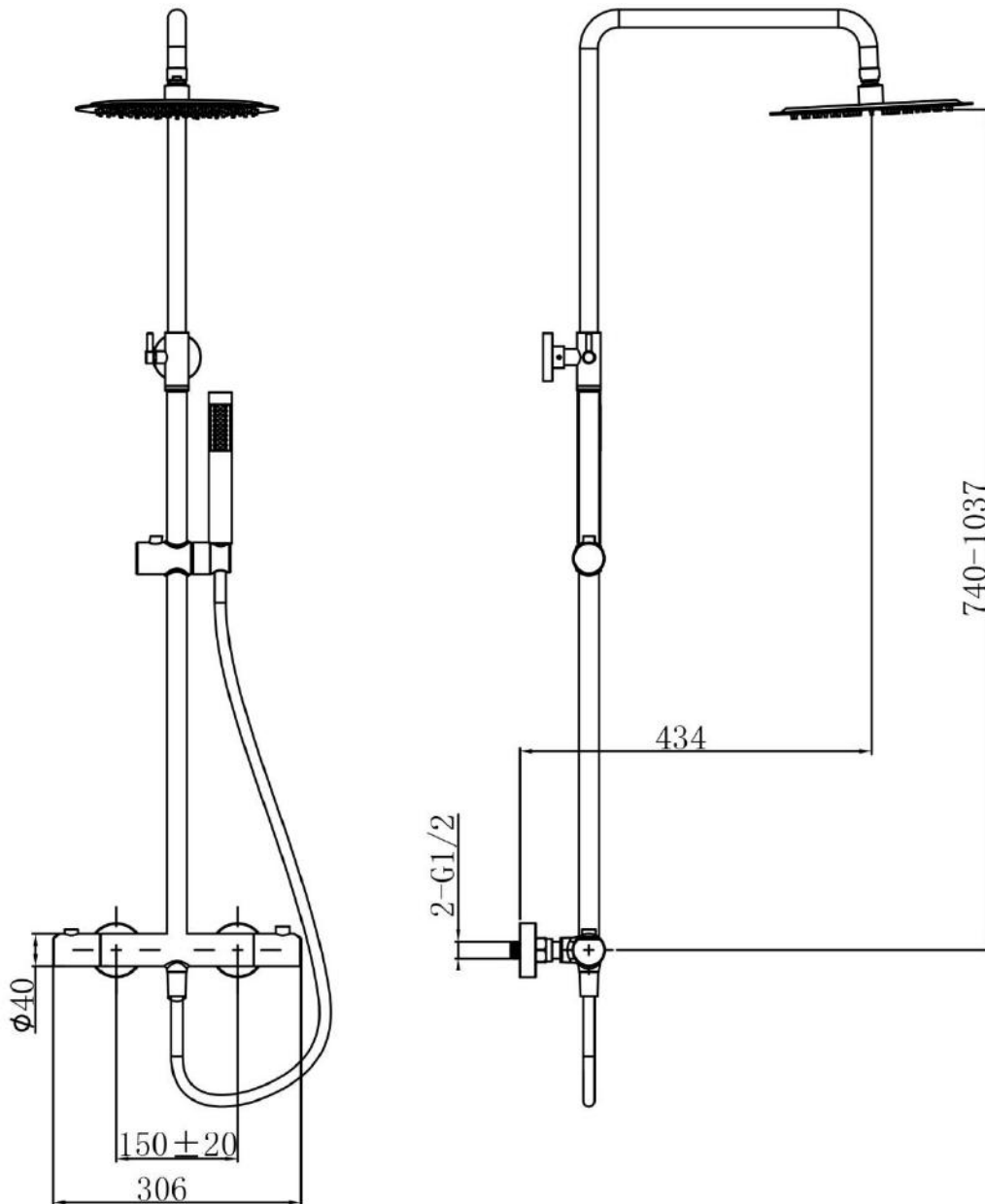
- Please read these instructions thoroughly and retain for future reference
- Installation must be carried out in compliance with The Water Fittings Regulations and Scottish Water Byelaws.
- The system must be flushed prior to installation, else it might clog the filter and the following phenomenon occurs: discharged water volume is small, or temperature cannot be controlled well.
- Minimum and Maximum working pressure : 1 - 5 bar
- Pressures must be equal for optimum performance
- Please do not connect hot and cold water supply lines in reverse. This could result in hot water flowing from cold line and cause scalding.
- The feed-water temperature of water shall not exceed 85°C. Exceeding 85° may cause scalding, the service life of faucets might be shortened, or the faucet might be damaged.
- After installation, please make sure the faucet is securely mounted and checked for leaks.

Parts / Diagrams



No	Description	No	Description	No	Description
1A	Temperature control handle	9	Shower connector assembled	20	Eccentric foot
1B	Grub screw	10	Divertor cartridge	21	Flange
1C	Spring	11	Locknut	22	Straight pipe assembled
1D	Lever	12	Plastic ring	23	Lever
1E	O-ring	13	Cap	24	Bend pipe assembled
1F	Safety Button	14A	Divertor handle	25	Grub screw
1G	Grub screw	14B	Grub screw	26	Flange assembled
1H	Bolt	14C	Grub screw	27	Mounting seat
2	Cap		Button	28	Fixing screw
3	Positioning ring	14E	Rod	29	Wall plug
4	Plastic ring	15	Lock ring	30	Shower hose
5	Thermostatic cartridge	16	Non-return valve	31	Hand shower
6	Grub screw	17	Connector assembled	32	Headshower
7	Main body	18	Nut	33	Allen key
8	Non-return valve	19	Rubber gasket with filter		

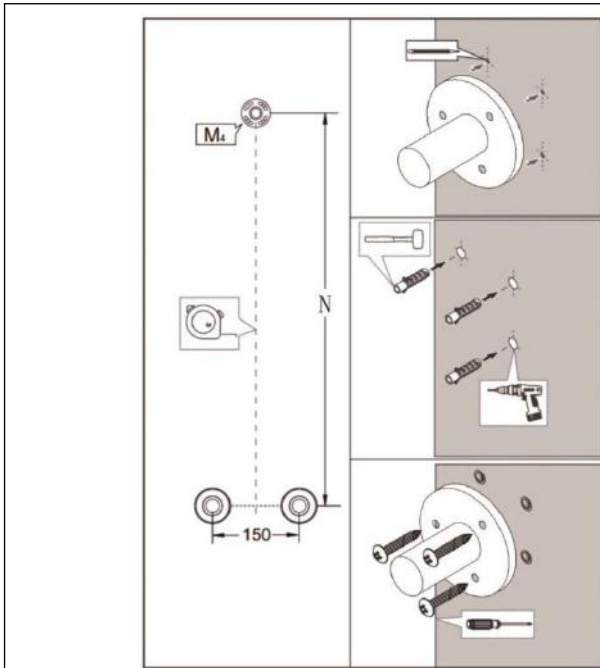
Dimensions



Tools required

- Spanner
- Hammer
- Drill and bit
- PTFE seal tape
- Screw driver

Installation

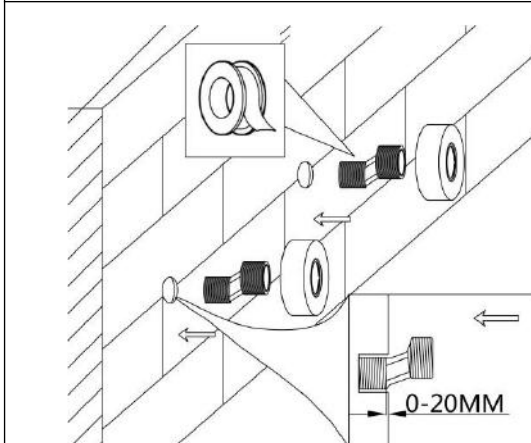


Mark the positions on wall for installing the shower column by referring to dimension drawing.

Drill 3 holes to suit the size of wall plugs.

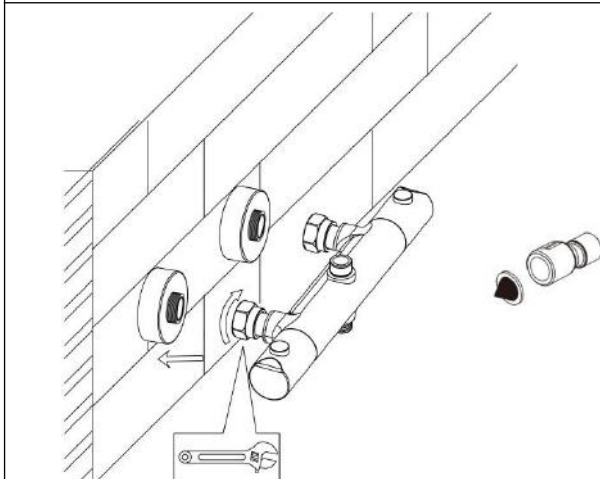
Insert the plugs into the drilled holes and tap flush using a hammer.

Fix the mounting seat onto the wall by fastening the screws.



Mount the eccentric feet(cold water side and hot water side).

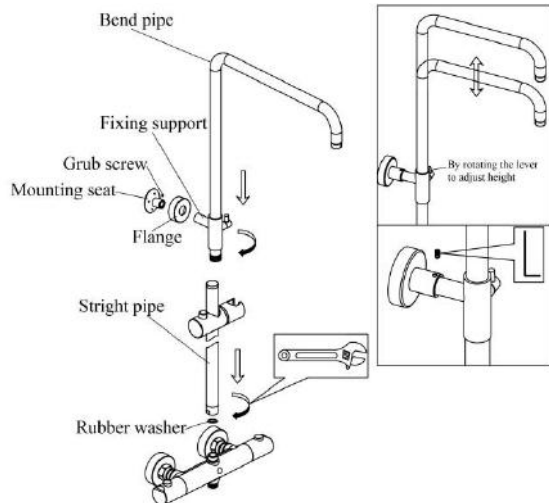
The end surfaces of the right and left eccentric feet should be horizontal and flush with the wall surface.



Mount the mixer body to the eccentric feet. Cold supply must be on the right and hot supply on the left.

Tighten the nuts on hot water side and cold water side alternatively while holding the product horizontal.

Make sure the rubber washer with filter are included in the nuts, and the bulge side of filter should be opposite to the direction of eccentric feet - refer to the left.

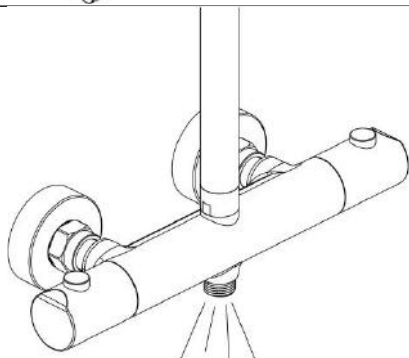


Insert the bend pipe vertically in the connecting straight pipe.

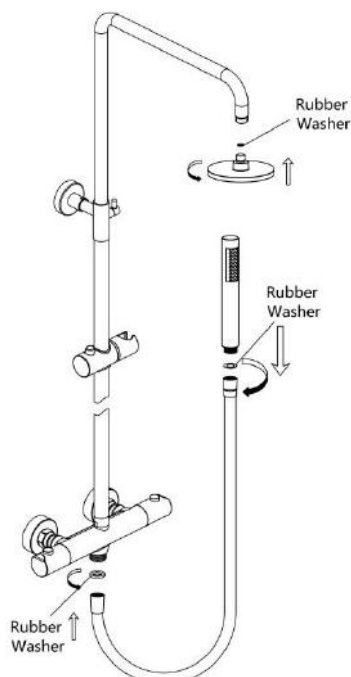
Fix the shower straight pipe with the body and then tighten the nut.

Install the flange on the mounting seat, and insert the fixing support into the mounting seat. Fix the grub screw by allen key provide.

By rotating the small lever on fixing support to adjust the height you needed.



Turn on water supply and check for leaks.

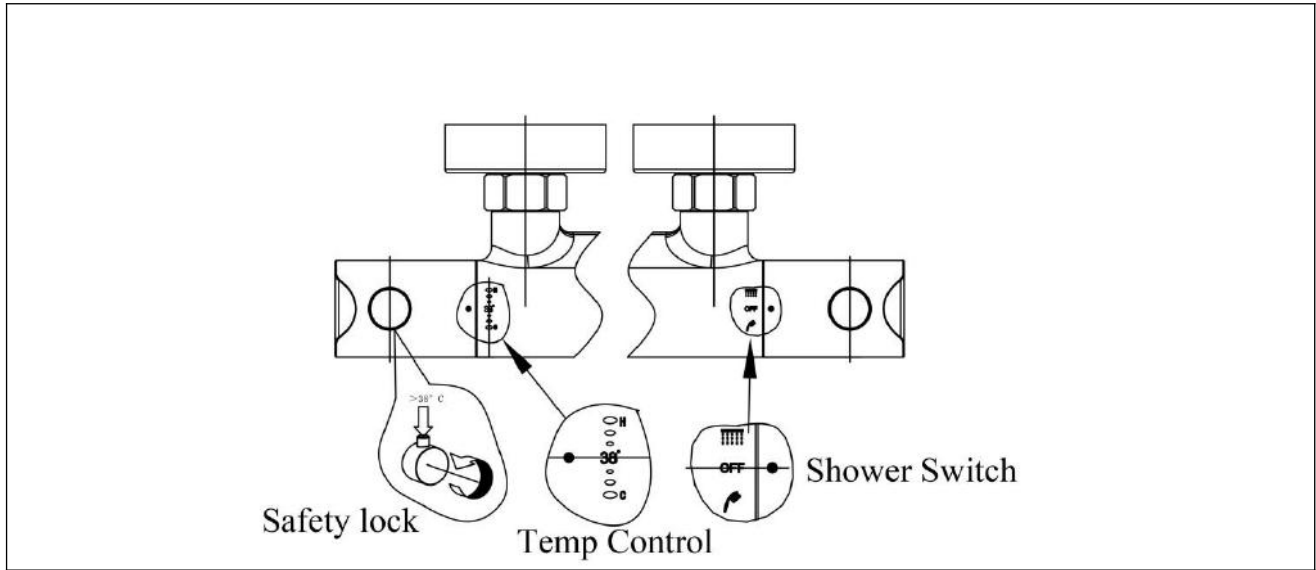


Inspect and check if the rubber washer is fitted in the ball-joint of shower head, and nuts of shower hose.

Screw the shower head with bend pipe by rotating the shower head and ensure it is fully tightened.

Connect the shower hose with the hand shower and main body.

Operation

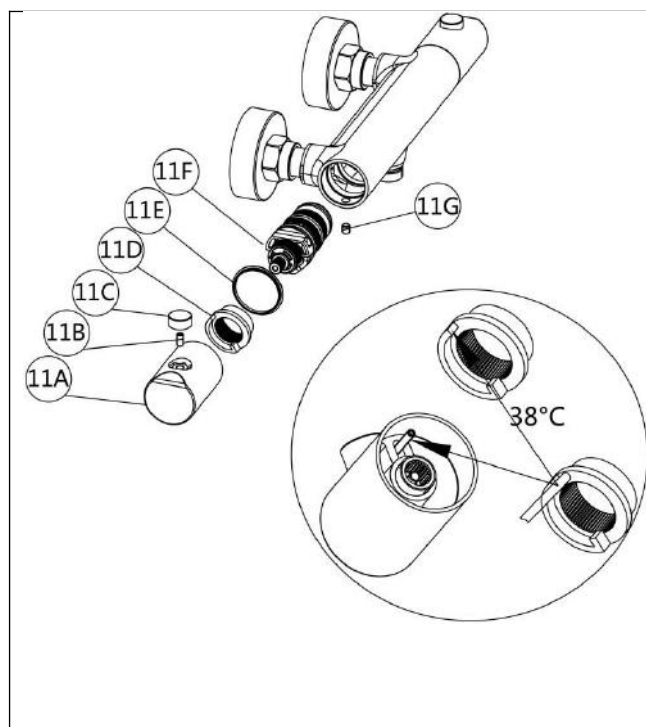


Troubleshooting

Issues	Inspection Item
Poor water flow	<ul style="list-style-type: none"> • Is there dust with filter net of thermostatic cartridge (5) • Is there debris inside the non-return valve(7&16) • Is there dust with filter net of rubber washer(19)
Water leak	<ul style="list-style-type: none"> • Is there damage or dirt within the O-rings of the thermostatic cartridge (5) • Is there dust with filter net of thermostatic cartridge (5) • Is there damage or dirt with o-ring of connector(9) • Is there damage or dirt within the O-rings of the divertor cartridge (10) • Is the locknut(11) fully tighten • Is there damage or dirt with O-ring of non-return valves(7&16) • Is the connector(17)loose • Is the nut fully tightened(18) • Is there damage or dirt with rubber washer(19) • Is there damage or dirt with washer in shower hose(30) • Is there damage or dirt with washer in shower head(32)
Handle loose	<ul style="list-style-type: none"> • Is the screw(1B,14C) inside the handle fully tightened • Is the locknut(11) on top of cartridge fully tightened
Pipe loose	<ul style="list-style-type: none"> • If screw(28) are fully tighten

	<ul style="list-style-type: none"> • If grub screws(25) are fully tighten • If the nut on straight pipe(22) fully tighten with the main body
Only hot water	<ul style="list-style-type: none"> • Does the red marking on the thermostatic cartridge(5) keep align with the marking on positioning ring(3), and positioning rod(1H) in the handle • Is there dust with filter net of thermostatic cartridge (5) • Is there damage or dirt within the O-rings of the thermostatic cartridge (5) • Is there debris inside the non-return valve(16)
Only cold water	<ul style="list-style-type: none"> • Does the red marking on the thermostatic cartridge(5) keep align with the marking on positioning ring(3), and positioning rod(1H) in the handle • Is there dust with filter net of thermostatic cartridge (5) • Is there damage or dirt within the O-rings of the thermostatic cartridge (5) • Is there debris inside the non-return valve(16)

Maintenance



Replacement of Cartridge

Before replacement please turn off the water supply. Rotate the button(11C) and take it off, loose the grub screw(11B) by allen key and then take out the handle(11A). Remove the positioning ring(11D), plastic ring(11E). Loose the grub screw(11G) and take out the thermostatic cartridge(11F).

Clean the cartridge or replace it with a new one.

Install the thermostatic cartridge by reverse steps. Take note the red marking on the thermostatic cartridge, should keep align with the marking on positioning ring, and positioning rod in the handle.

Cleaning

To maintain the surface of your product, wipe with a clean damp cloth and wipe dry, do not use any abrasive cleaning agents or materials. If any harsh chemicals come into contact with the surface of the product, rinse and wipe clean immediately.

For more information

- visit betterbathrooms.com
- email customerservices@buyitdirect.co.uk
- call 03303903062
- write to Trident Business Park, Neptune Way, Huddersfield, HD2 1UA

better 
bathrooms

Part of the BuyItDirect Group